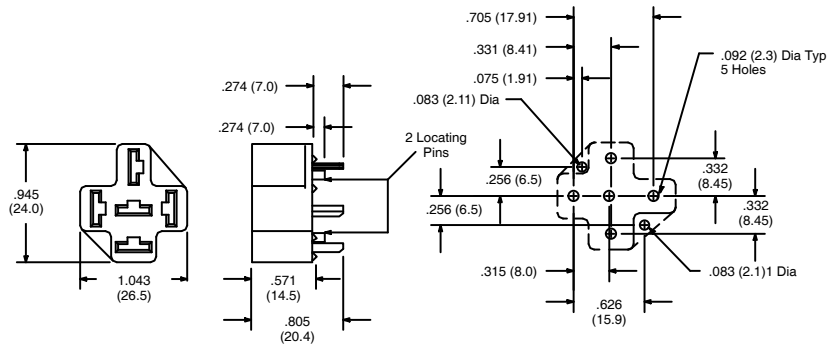
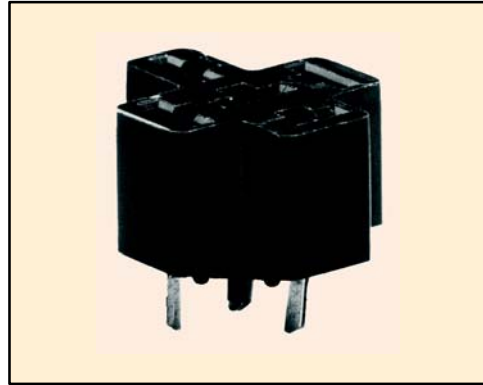


# R95-160

## 5-Pin PC Board Socket

### Features

- For R51 Series Automotive Relay (50 Amp ONLY)
- Continuous Temperature Rating of +130°C

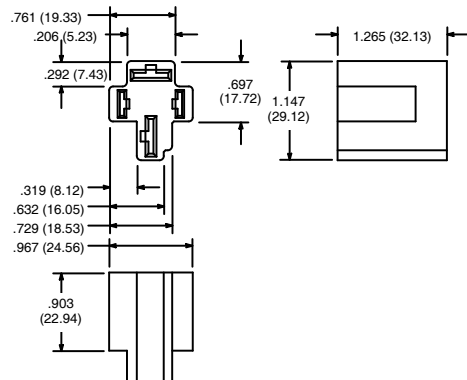


# R95-160A

## 4-Pin Automotive High Current Socket

### Features

- For R51 Series 70 Amp Automotive Relay

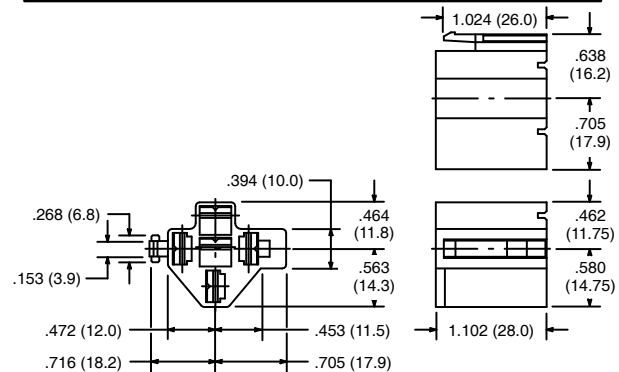
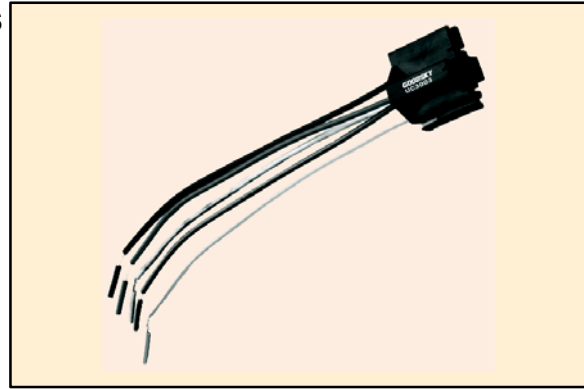


# R95-188

## 5-Pin Automotive Socket w/Wire Leads

### Features

- For R51 Series Relays(50 Amp ONLY)
- 6.5 Inch Wire Leads

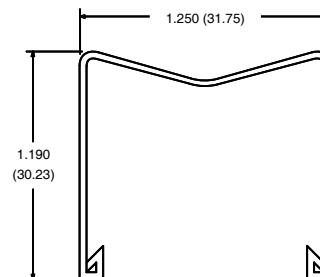


# RLY9009

## Hold Down Clip

For use with the following sockets:

- R95-132
- R95-133



# RLY9010

## Hold Down Spring

For use with the following sockets:

- R95-101
- R95-102
- R95-104
- R95-113
- R95-114
- R95-115
- R95-116
- R95-117
- R95-118
- R95-119
- R95-123
- R95-124
- R95-156
- R95-159

